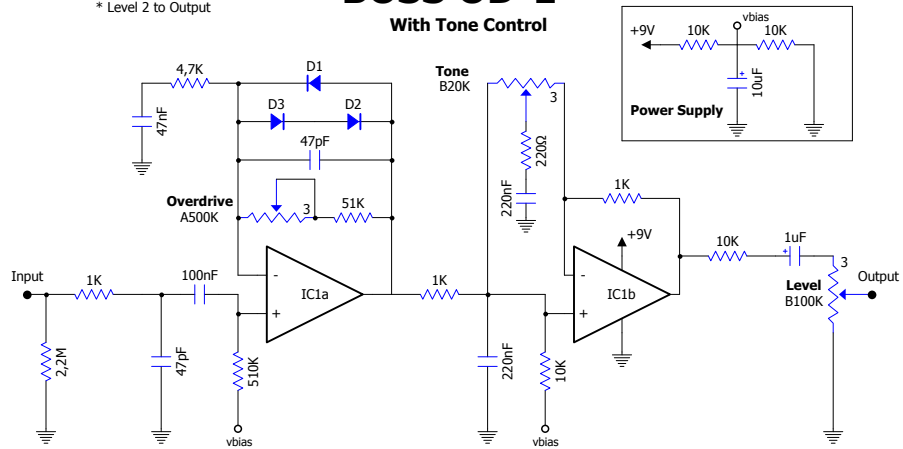


IC1 is JRC4558  
 D1-D3 are 1N914  
 \* Level 2 to Output

----- PNP transfer -----

## BOSS OD-1 With Tone Control



Schematic / Layout by DotFuzz.com © 2020  
 All rights reserved. Authorisation for personal use only.  
 Any commercial use is forbidden.  
 Permission refused for posting from other sites.